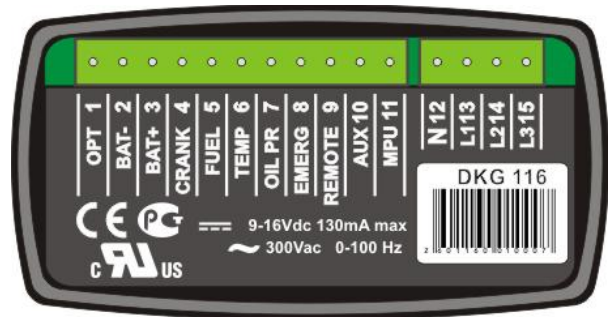
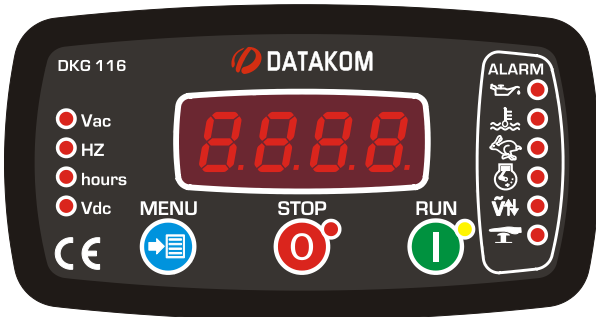


DATAKOM DKG-116



DKG 116



: L1-N,L2-N,L3-N
 : L1-L2,L2-L3,L3-L1

RUN STOP
 Remote Start.
 RUN
 REMOTE START



Holdoff timer ()



True RMS

STOP
 Remote Start.
 MENU

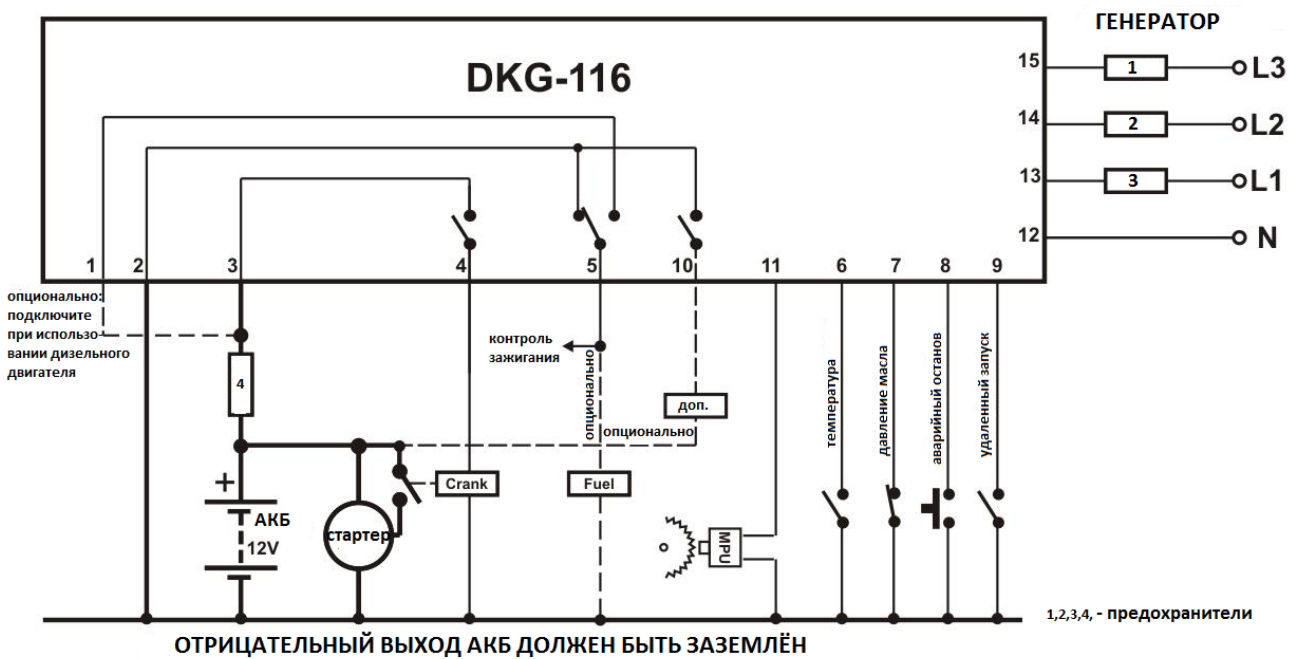
Fuel Crank

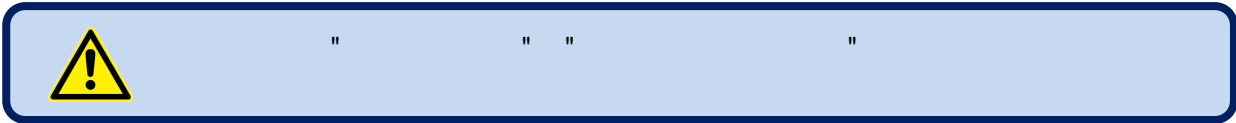
4

: 96 48



- PHASE-L2 PHASE-L3. - :BAT+, PHASE-L1,
- 6 .
-
-
-
-
-
-
-
-





12

1	U-Lo	70-500 V	170 V	
2	U-HI	70-500 V	300V	
3	nPU	0-1000	50	MPU crank cut frequency divided by 4
4	nFrq	0-1	0	: 0=50Hz 1=60Hz
5	OIL	0-1	0	: 0= ; 1=
6	FUEL	0-1	0	(Fuel): 0= ; 1=
7	rLY3	0-3	0	0: ; 1: ; 2: ; 3:
8	CHDt	0-15	0	
9	Prht	0-15	10	
10	3- IP	0-7	0	0=1 ; 1=2 ; 2=3 ; 3=3 , center tapped delta (voltage checks on first 2 phases only) 4..7= 0...3
11	UAlr	0-15 sec	5	/
12	CLb1	-	-	L1-N
13	CLb2	-	-	L2-N
14	CLb3	-	-	L3-N

MENU.

MENU.

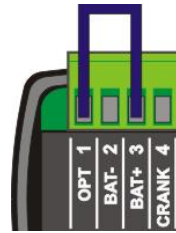
MENU,

RUN STOP.

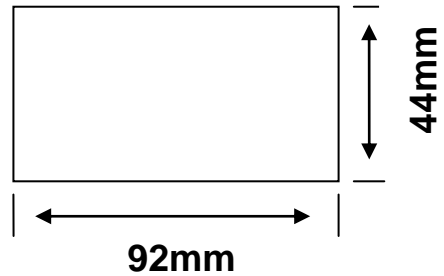
MENU,



: 15-300V
 : 15 to 300 V
 : 0.5% + 1
 : +14%
 : 30Hz
 : 10 .
 : 10 .
 : 3
 : 10 .
 Holdoff timer():10
 : 9.0 to 16.0 V-DC
 :12mA-DC
 : 130 mA-DC
 Fuel Crank: 10A @ 12V-DC
 : 1A @ 12V-DC
 : 1.5 to 30Vpp
 .: -40°C (-40°F) to 80 °C (176°F).
 : 95% .
 : 102 x 55 x 40 (x x)
 :140
 . :High Temp. ABS/PC (UL94-V0)
 : IP65 (), IP30 ()
 ()
 -2006/95/EC (low voltage)
 -2004/108/EC (EMC)
 :
 EN 61010 (safety requirements)
 EN 61326 (EMC requirements)



1 3.
 OPT ,



: 24
 : 280 x 170 x 215 (x x)
 : 3.6

